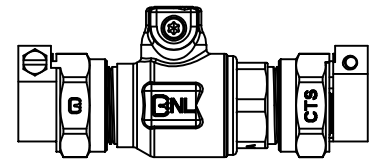


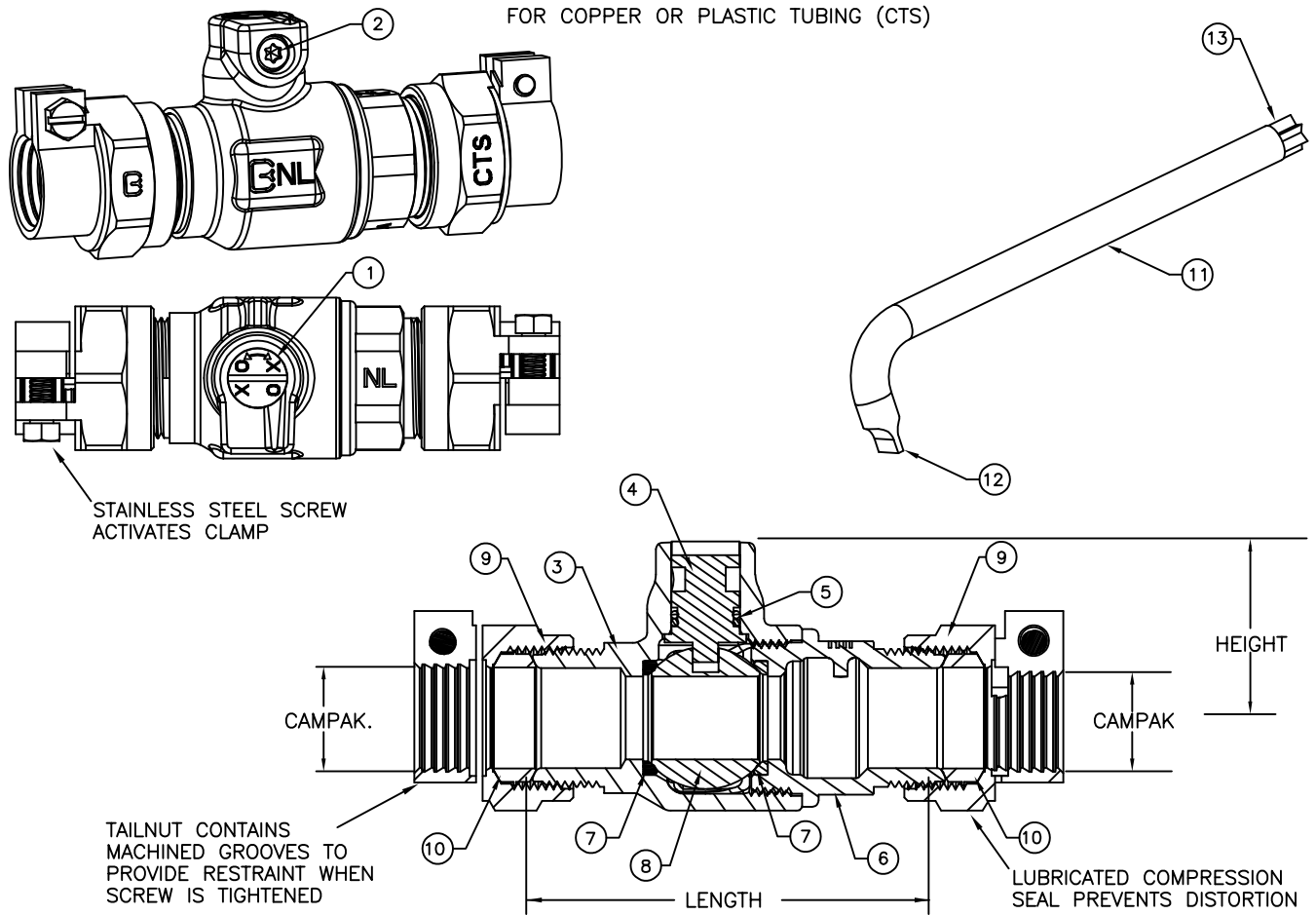
Cambridge Brass
 P.O. Box 249
 140 Orion Place
 Cambridge, Ontario
 Canada N1R 5V1
 Tel: (519) 621-5520
 Fax: (519) 621-8674
 http://www.cambridgebrass.com



MODEL NO. 202NL

CAMPAK X CAMPAK
 LOCKING VALVE

CURB STOP – BALL STYLE
 NON-DRAINING



PARTS AND MATERIAL:

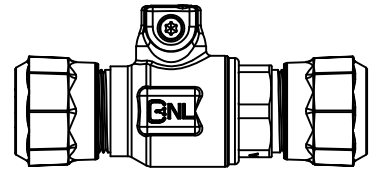
1. STEM LOCKING ORIENTATION
2. SECURITY SCREW: STAINLESS STEEL, TYPE 303
3. VALVE BODY: CAST BRASS, ALLOY C89833
4. STEM: STAINLESS STEEL, TYPE 303
5. O-RING: NITRILE RUBBER
6. ENDBODY: CAST BRASS, ALLOY C89833
7. SEATS: TEFLON
8. BALL: CAST BRASS, ALLOY C89833
9. CAMPAK NUT: CAST BRASS, ALLOY C83600
10. COMPRESSION SEAL: NITRILE RUBBER
11. LOCKING BALL VALVE TOOL
12. STEM DRIVER
13. SECURITY SCREW DRIVER

FEATURES

- CONFORMS TO AWWA C800 (ASTM B584 UNS C89833 FOR BRASS PARTS IN CONTACT WITH POTABLE WATER)
- CONFORMS TO ANSI/NSF 372 (COMPLIANT WITH US Safe Drinking Water Act. PL 111-380)
- CONFORMS TO ANSI/NSF 61-8
- BODY AND NUTS PROVIDE WRENCH FLATS FOR INSTALLATION
- 300PSI WORKING PRESSURE

VALVE SIZE	CATALOG NO.	CB COMP.	CB COMP.	LENGTH	HEIGHT	APPROX. WT. LBS.
3/4"	202NL-B3B3LV	3/4"	3/4"	3.75"	1.60"	2.02

Cambridge Brass
 P.O. Box 249
 140 Orion Place
 Cambridge, Ontario
 Canada N1R 5V1
 Tel: (519) 621-5520
 Fax: (519) 621-8674
 http://www.cambridgebrass.com

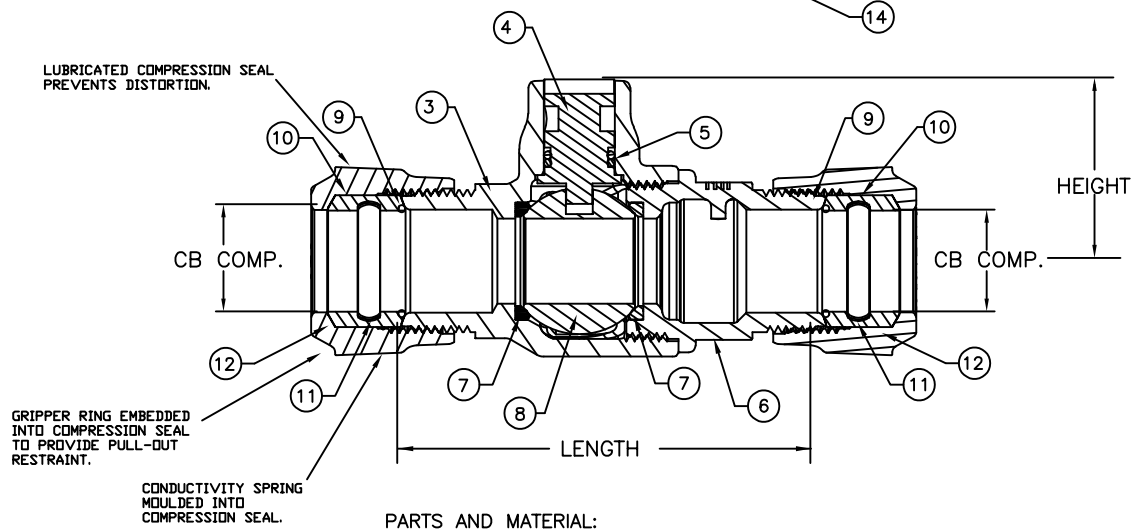
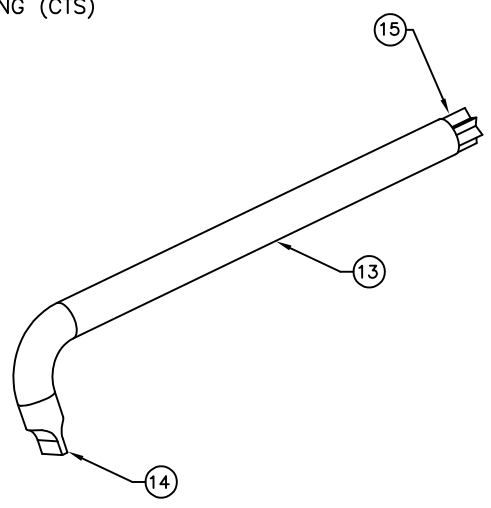
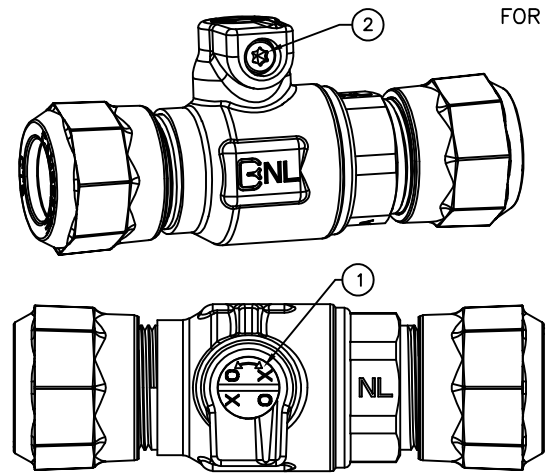


MODEL NO. 202NL

CB COMPRESSION x CB COMPRESSION
 LOCKING VALVE

CURB STOP – BALL STYLE
 NON-DRAINING

FOR COPPER OR PLASTIC TUBING (CTS)



- PARTS AND MATERIAL:**
1. STEM LOCKING ORIENTATION
 2. SECURITY SCREW: STAINLESS STEEL, TYPE 303
 3. VALVE BODY: CAST BRASS, ALLOY C89833
 4. STEM: STAINLESS STEEL, TYPE 303
 5. O-RING: NITRILE RUBBER
 6. ENDBODY: CAST BRASS, ALLOY C89833
 7. SEATS: TEFLON
 8. BALL: CAST BRASS, ALLOY C89833
 9. CONDUCTOR SPRING: BRASS
 10. COMPRESSION SEAL: EPDM
 11. GRIPPER: STAINLESS STEEL, TYPE 302
 12. TAILNUT: CAST BRASS, ALLOY C83600
 13. LOCKING BALL VALVE TOOL
 14. STEM DRIVER
 15. SECURITY SCREW DRIVER

- FEATURES**
- CONFORMS TO AWWA C800 (ASTM B584 UNS C89833 FOR BRASS PARTS IN CONTACT WITH POTABLE WATER)
 - CONFORMS TO ANSI/NSF 372 (COMPLIANT WITH US Safe Drinking Water Act. PL 111-380)
 - CONFORMS TO ANSI/NSF 61-8
 - BODY AND NUTS PROVIDE WRENCH FLATS FOR INSTALLATION
 - 300PSI WORKING PRESSURE

VALVE SIZE	CATALOG NO.	CB COMP.	CB COMP.	LENGTH	HEIGHT	APPROX. WT. LBS.
3/4"	202NL-H3H3LV	3/4"	3/4"	3.75"	1.60"	2.02

Cambridge Brass considers the information in this submittal form to be correct at the time of publication. Item and option availability, including specifications, are subject to change without notice.